

Item Number

RAM-VB-129 & RAM-VB-129-SW1

RAM No-Drill™ Seat Bases

National Products, Inc.

COMPATIBLE VEHICLES:

DODGE CHARGER (2005, 2011-2014)
DODGE CHARGER POLICE (2005, 2011-2014)
DODGE MAGNUM (2005)
DODGE MAGNUM POLICE (2005)

DODGE CHALLENGER (2011)
DODGE SPRINTER VAN (2007-2010)
FREIGHTLINER SPRINTER VAN (2010-2011)
MERCEDES SPRINTER VAN (2010-2013)

SPECIFICATIONS

Placement

Passenger side on horizontal section of seat rail. For Sprinter, between seat cushion and seat frame box passenger side front of seat

Drilling Required

No - uses existing seat bolts

Seat Configuration

Bucket

Construction/Finish

Steel/Black Powdercoat

Dimensions

A = 19.375" B = 7.125"

Hole Center = 16.5"

Pole or Pedestal

Purchased Separatel

Weight = 4.9 lbs.

Features

Installs with no drilling required
Minimal intrusion into passenger leg space

Important Note

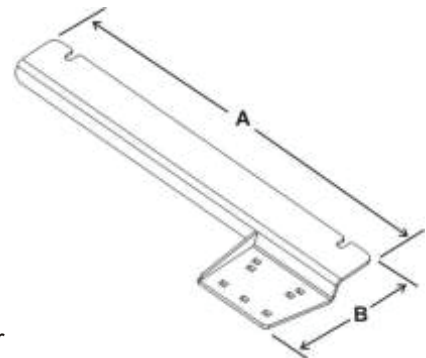
In 2005 and 2011 model year vehicles, the seat leg bolts may be tied to the air bag system. Tampering with these may result in disabling the air bag system and causing a severe safety hazard. The installation of this product into these vehicles should only be done by a Dodge factory authorized technician or Up-fitter familiar with Police, Fire, and Rescue vehicles and their fleet use.

National Products, Inc.

8410 Dallas Ave S
Seattle, WA 98108
Phone: (206) 763-8361
Fax: (206) 763-9615
Website: www.ram-mount.com
Email: staff@ram-mount.com



RAM-VB-129-SW1



RAM-VB-129

